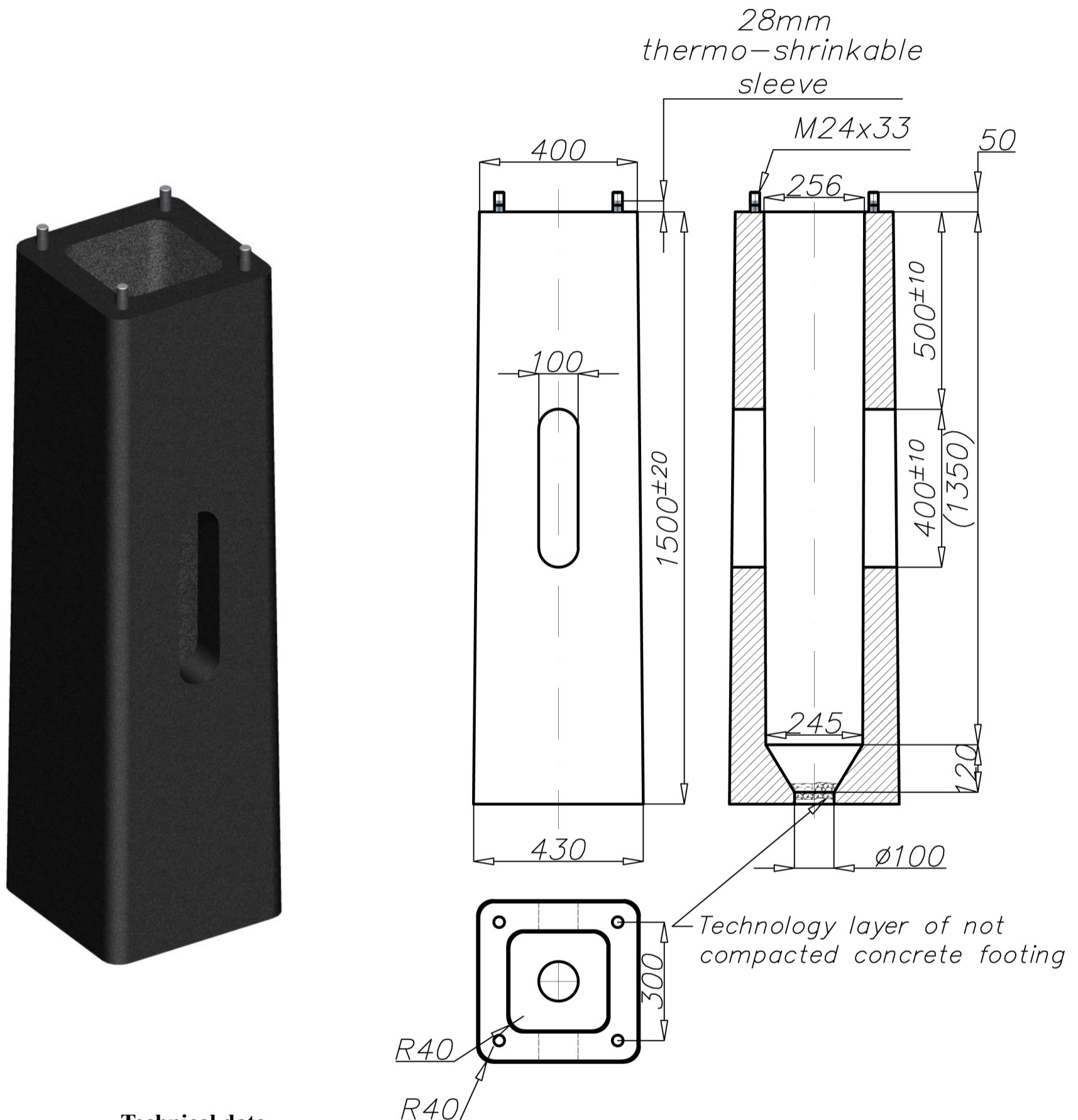


Concrete footing B-80



Technical data

Concrete footing	B-80
Code	311180
Weight [kg]*	380
Hot galvanized nut set	4012
Hot galvanizer ripable nut set	-
Application	for mounting MAL ϕ 225

* for transportation purposes should be considered possibility of soaking concrete - increase weight max to 5%

- class of concrete according to PN-EN 206 - C25/30 norm
- anchor bolts hot-dip galvanized