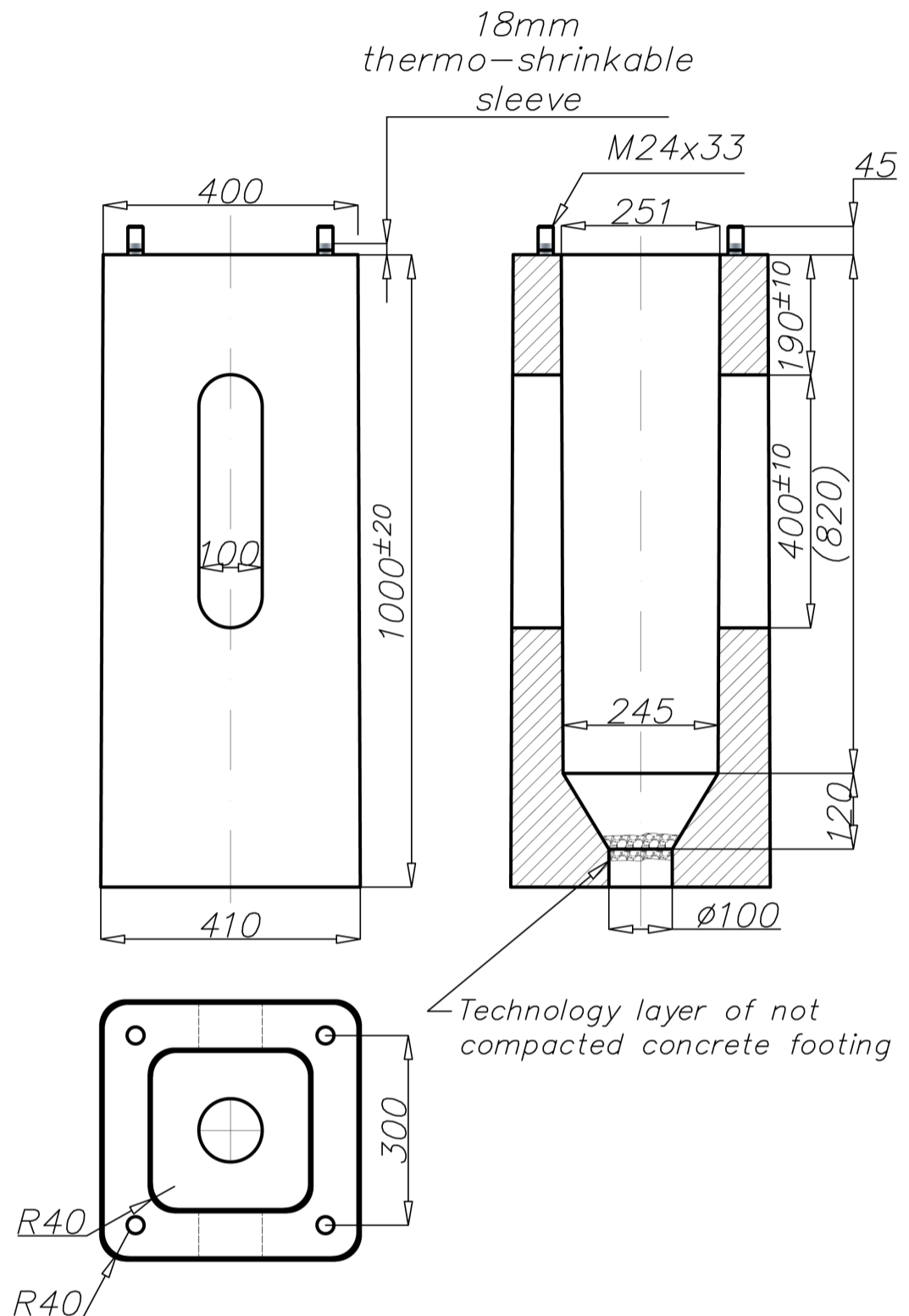
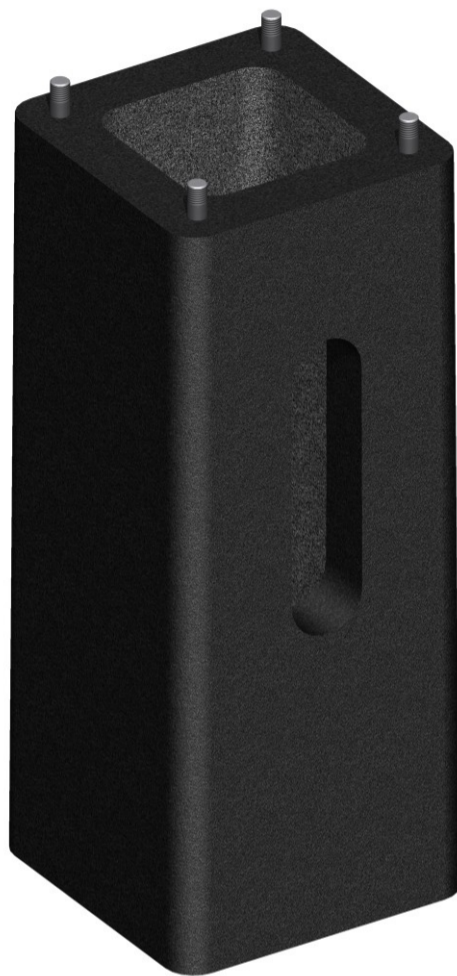


Concrete footing B-71



Technical data

Concrete footing	B-71
Code	311171
Weight [kg]*	255
Hot galvanized nut set	4012
Hot galvanizer ripable nut set	4013
Application	for mounting SALØ146H, SALØ176, SALØ178K, SALØ180M

* for transportation purposes should be considered possibility of soaking concrete - increase weight max to 5%

- class of concrete according to PN-EN 206 - C25/30 norm
- anchor bolts hot-dip galvanized