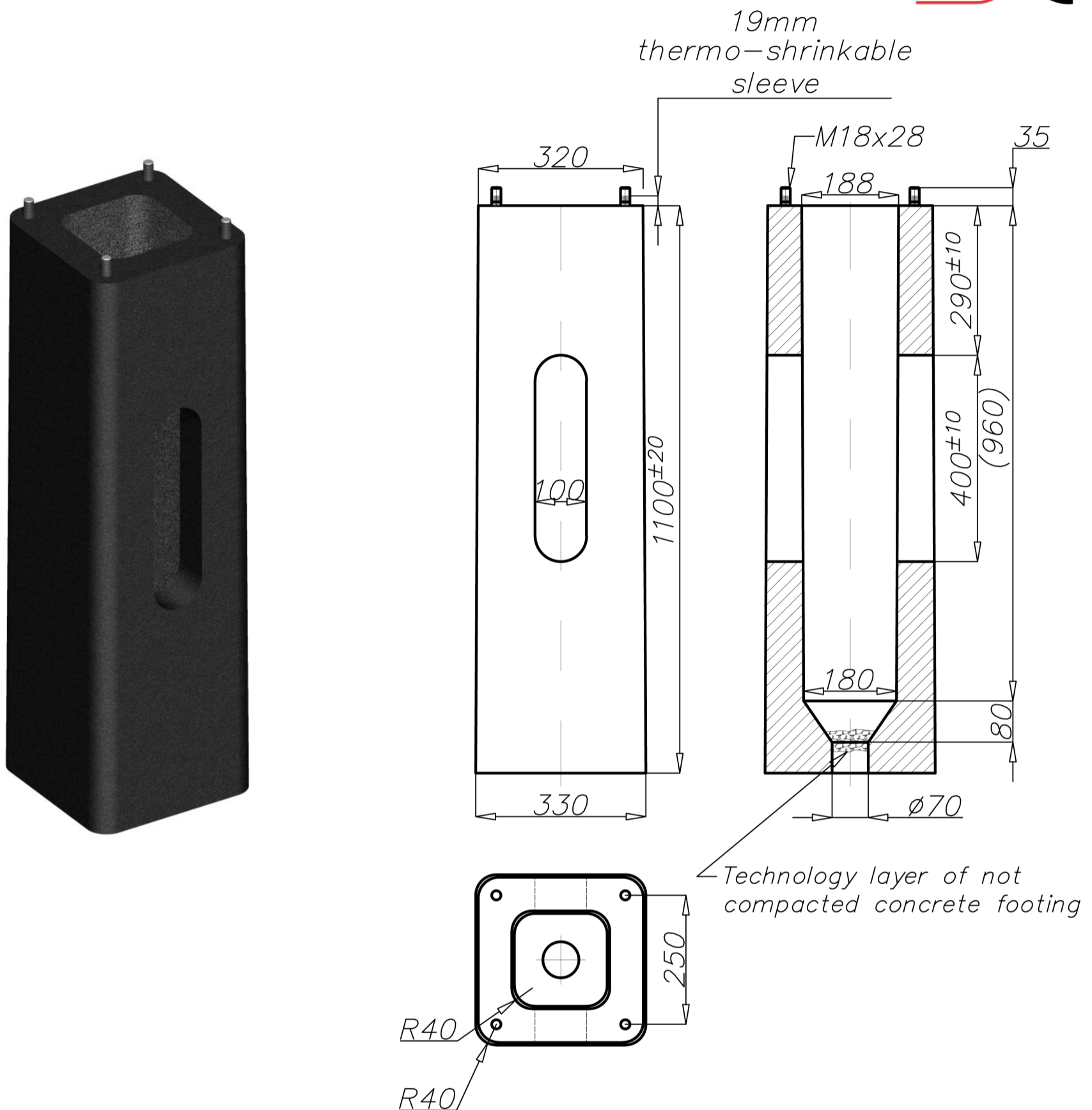


Concrete footing B-60A



Technical data

Concrete footing	B-60A
Code	311160A
Weight [kg]*	184
Hot galvanized nut set	4008
Hot galvanizer ripable nut set	4009
Application	for mounting SALØ146

* for transportation purposes should be considered possibility of soaking concrete - increase weight max to 5%

- class of concrete according to PN-EN 206 - C25/30 norm
- anchor bolts hot-dip galvanized