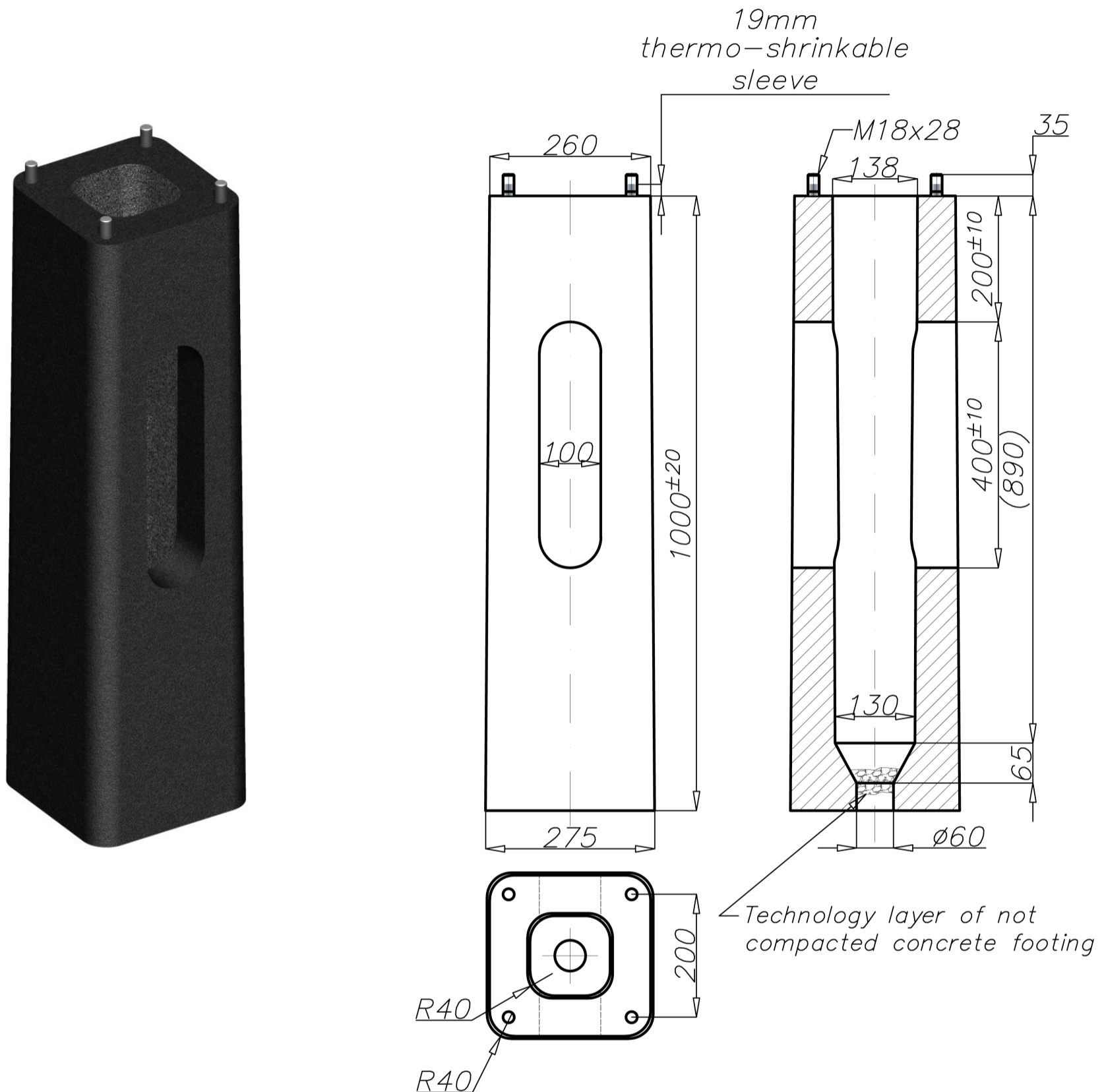


Concrete footing B-51



Technical data

Concrete footing	B-51
Code	311151
Weight [kg]*	124
Hot galvanized nut set	4008
Hot galvanizer ripable nut set	4009
Application	for mounting SAL ϕ 114/D60, SAL ϕ 114/D75, SAL ϕ 120E

* for transportation purposes should be considered possibility of soaking concrete - increase weight max to 5%

- class of concrete according to PN-EN 206 - C25/30 norm
- anchor bolts hot-dip galvanized