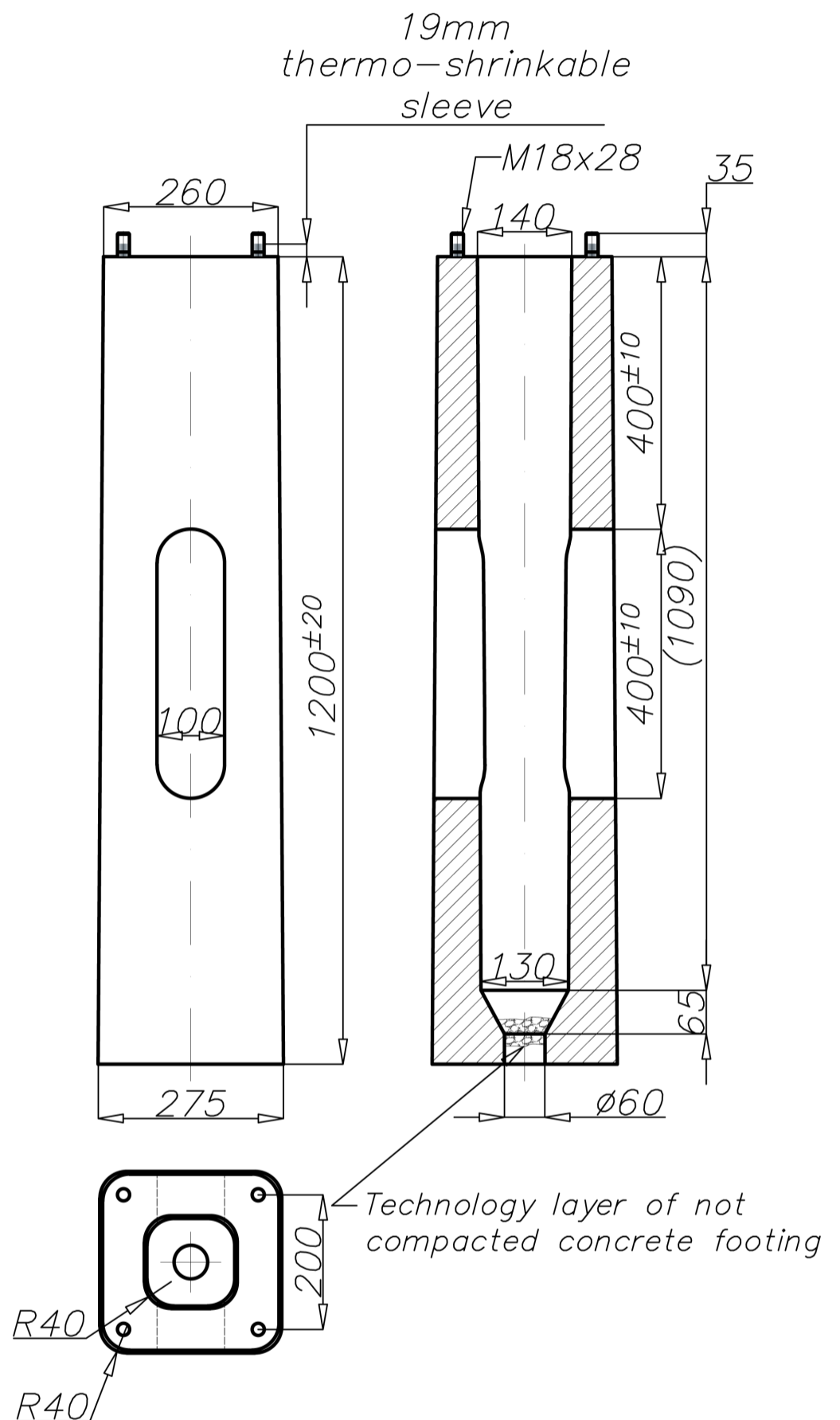


# Concrete footing B-51A



## Technical data

Concrete footing	<b>B-51A</b>
Code	311151A
Weight [kg]*	148
Hot galvanized nut set	4008
Hot galvanizer ripable nut set	4009
Application	for mounting SAL $\phi$ 114/D60, SAL $\phi$ 114/D75, SAL $\phi$ 120E, SAL $\phi$ 146G, SAL DECO-1, SAL DECO-2

\* for transportation purposes should be considered possibility of soaking concrete - increase weight max to 5%

- class of concrete according to PN-EN 206 - C25/30 norm
- anchor bolts hot-dip galvanized