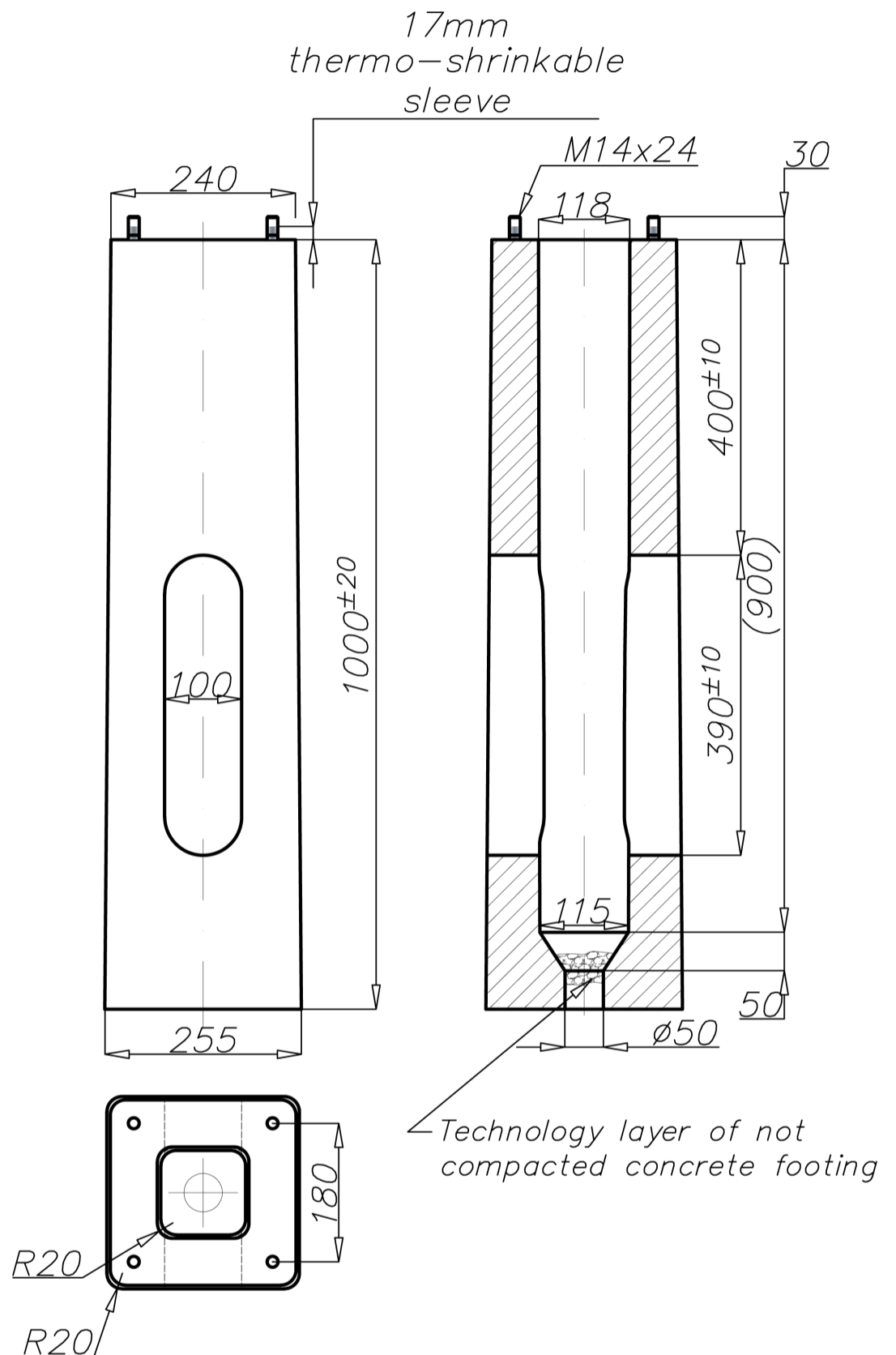
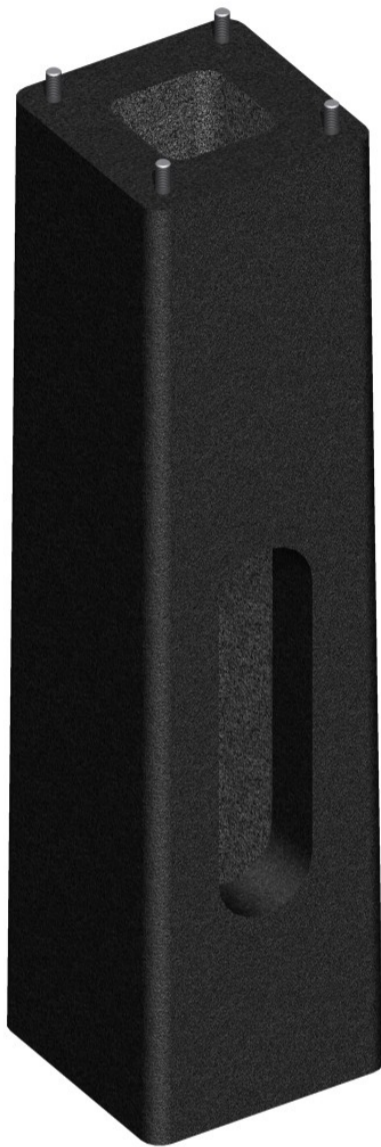


Concrete footing B-50A



Technical data

Concrete footing	B-50A
Code	311150A
Weight [kg]*	105
Hot galvanized nut set	4006
Hot galvanizer ripable nut set	4007
Application	for mounting SAL ϕ 114/B60, SAL ϕ 114/C75, SAL ϕ 120

* for transportation purposes should be considered possibility of soaking concrete - increase weight max to 5%

- class of concrete according to PN-EN 206 - C25/30 norm
- anchor bolts hot-dip galvanized