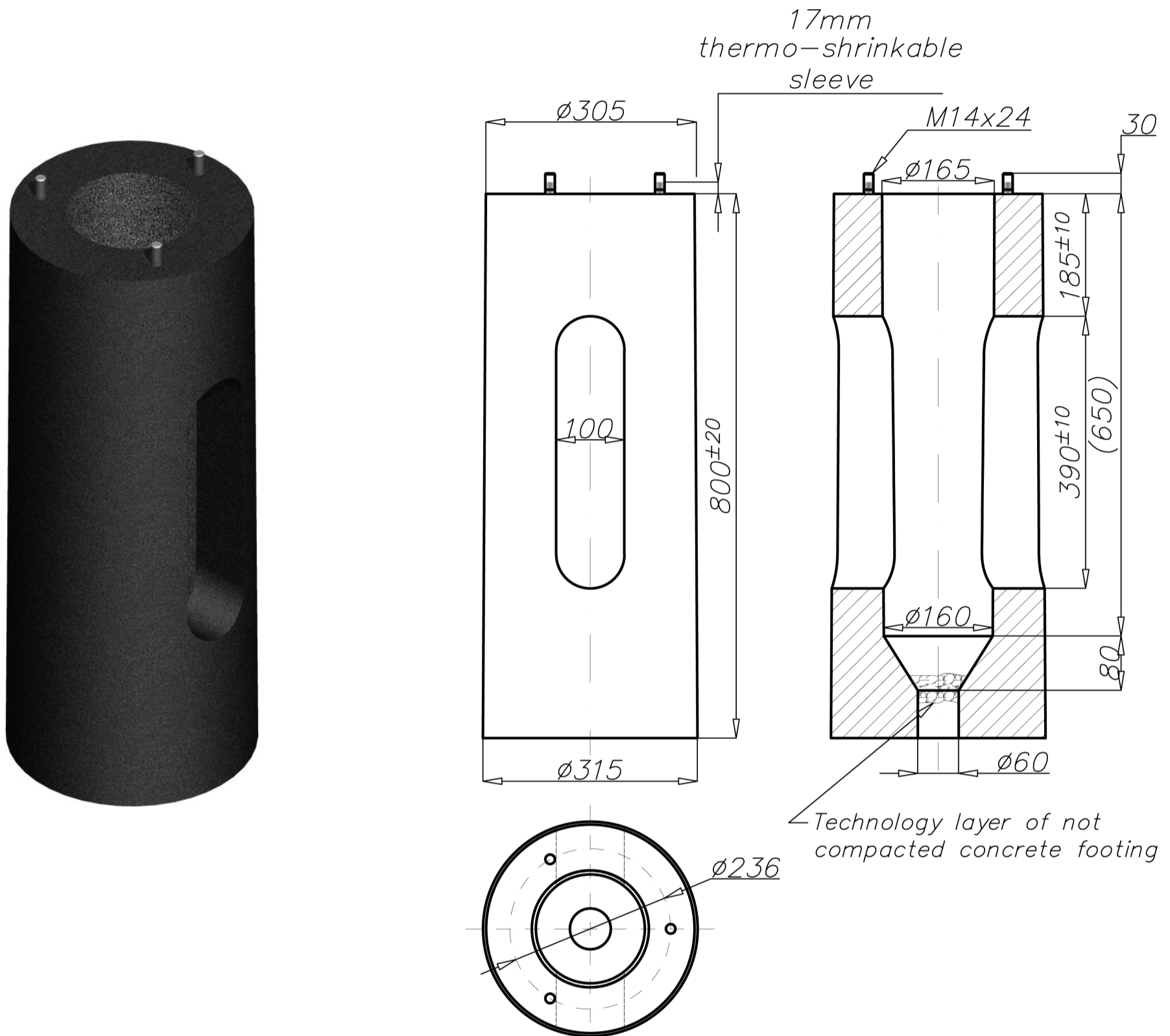


# Concrete footing B-31



## Technical data

Concrete footing	<b>B-31</b>
Code	311131
Weight [kg]*	97
Hot galvanized nut set	311003
Application	for mounting SAL DECO-3

\* for transportation purposes should be considered possibility of soaking concrete - increase weight max to 5%

- class of concrete according to PN-EN 206 - C25/30 norm
- anchor bolts hot-dip galvanized