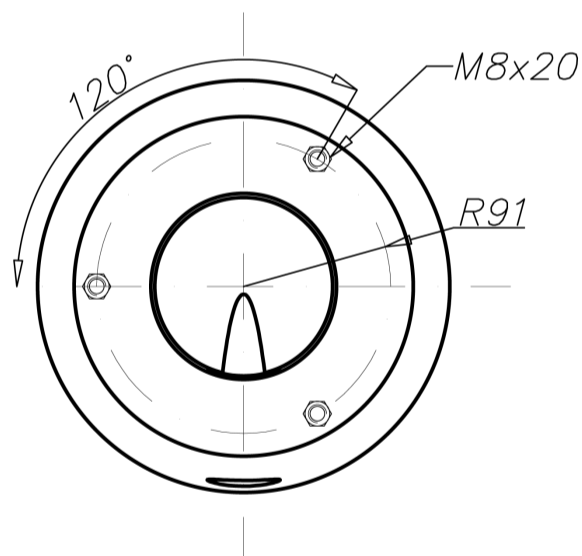
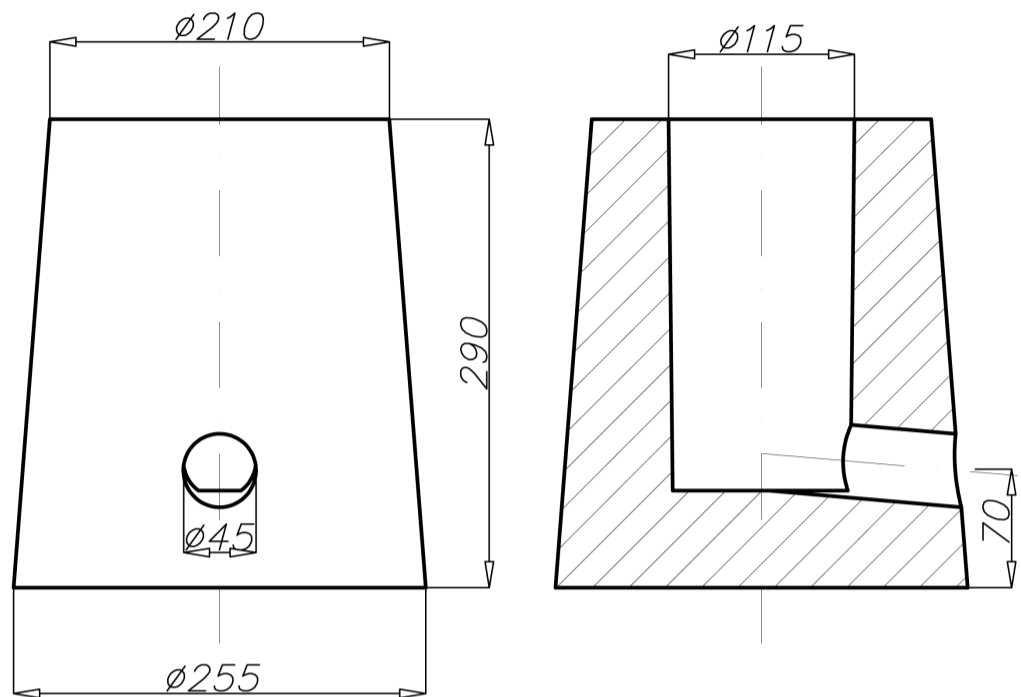
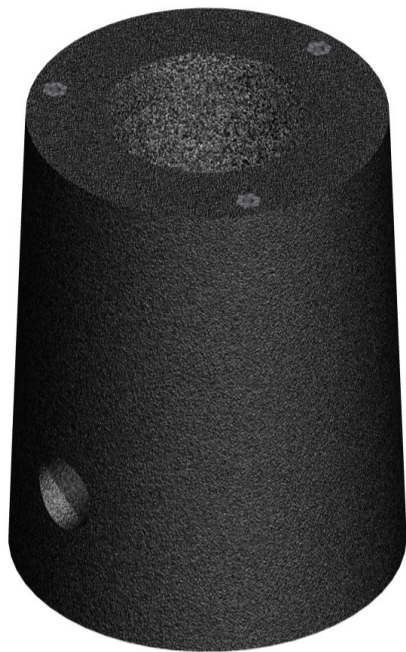


# Concrete footing B-12



## Technical data

Concrete footing	<b>B-12</b>
Code	311112
Weight [kg]*	20
Hot galvanized nut set	M8x25 geomet DIN 6921
Application	for mounting Sop KW 1200-2100 bollards

\* for transportation purposes should be considered possibility of soaking concrete - increase weight max to 5%