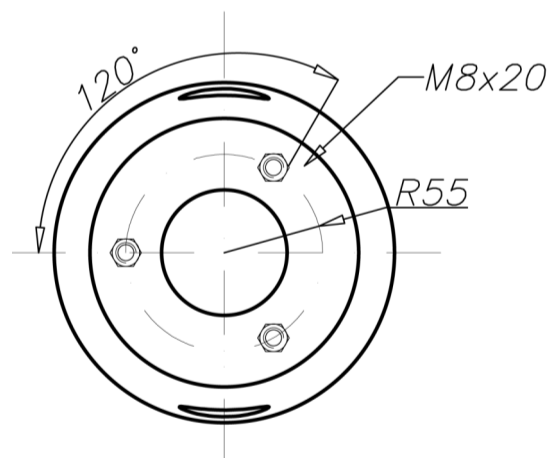
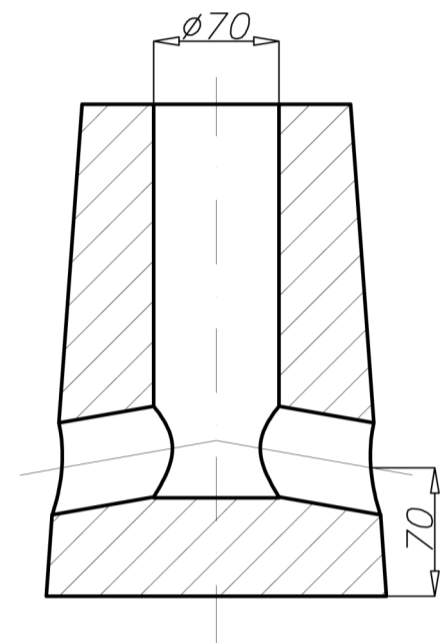
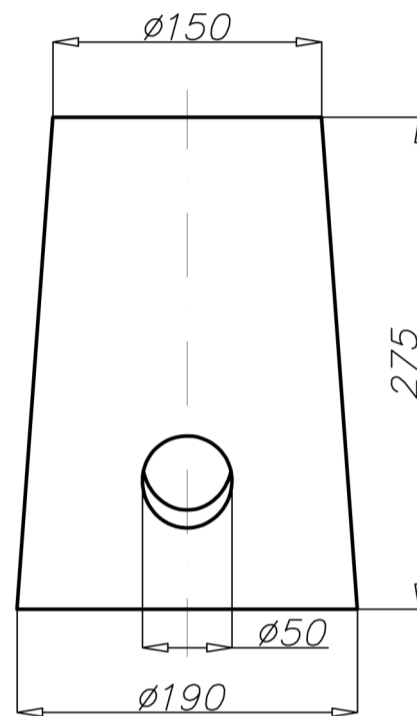


Concrete footing B-0



Technical data

Concrete footing	B-0
Code	311100
Weight [kg]*	12
Hot galvanized nut set	M8x 20 A2 DIN 6921 stainless steel
Application	for mounting bollards SAP 600-900, SAM 600-900, KARIN 450-1200 LED

* for transportation purposes should be considered possibility of soaking concrete - increase wight max to 5%