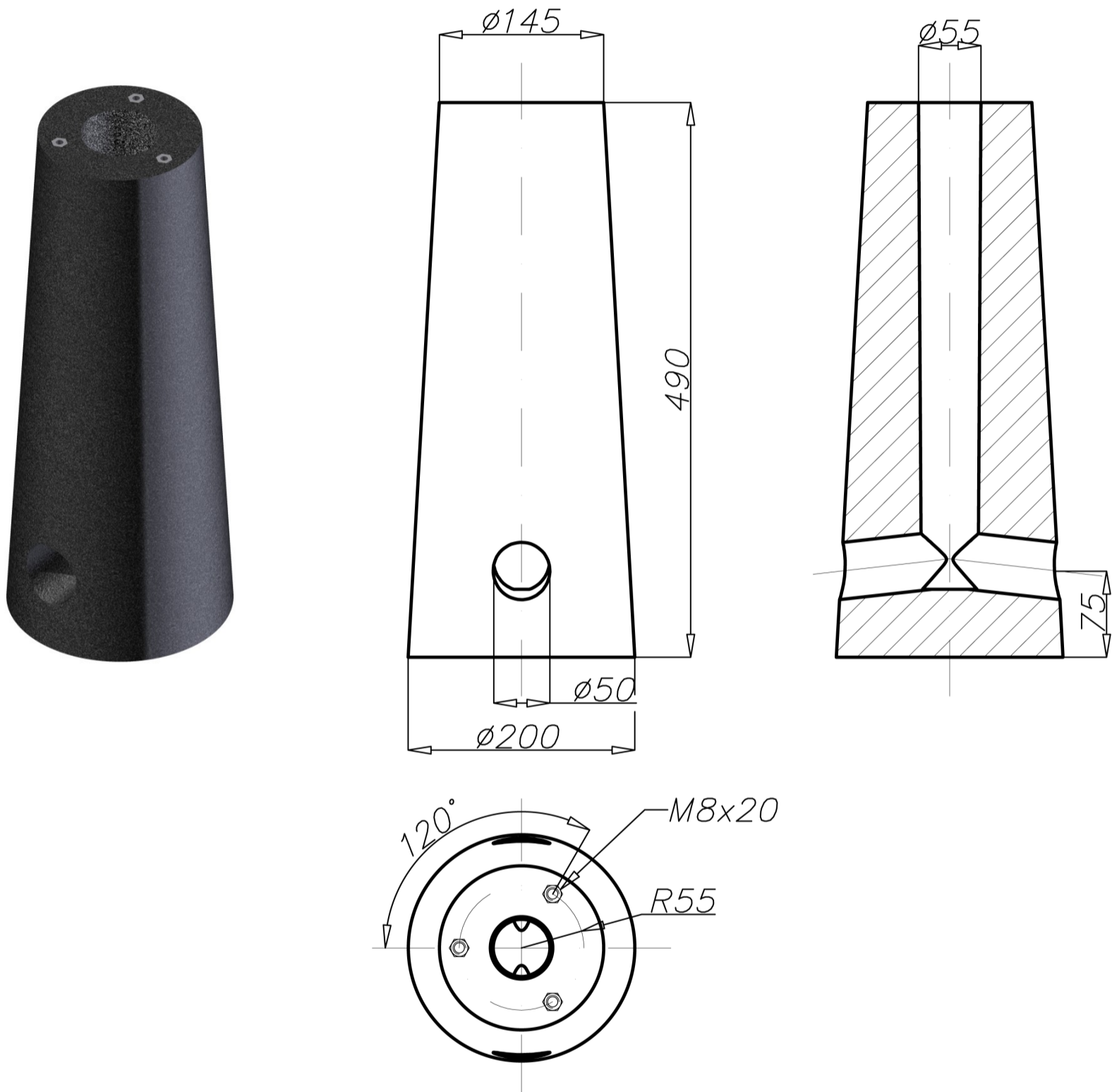


Concrete footing B-0A



Technical data

| | |
|------------------------|------------------------------------|
| Concrete footing | B-0A |
| Code | 311100A |
| Weight [kg]* | 22 |
| Hot galvanized nut set | M8x 20 A2 DIN 6921 stainless steel |
| Application | for mounting SAP bollards |

* for transportation purposes should be considered possibility of soaking concrete - increase weight max to 5%