



400x400 [mm]

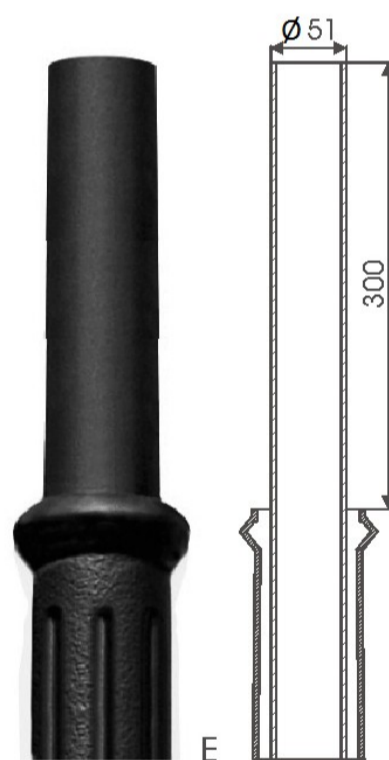
Technical data

Pole			SP-5W**
Height H [m]			6
Colour			black
Standard pole (code)	Spigot ending	E	17551
High thermal resistant pole (code)		E	17551F
Net weight [kg]		E	73
Volume [m ³]*		E	0,35
Compatible extension arms			type "E" – WTM (except WTM 14/3, WTM 20/3)
Concrete footing / reinforcement basket			B-71T / Z-71T
Concrete footing code/reinforcement basket			311171T / 311271T
Nut set code			4008

* For order of more than 10 pcs stated volume may change according to packing

** pole with chamber

Spigot ending type



Pole base scheme

