

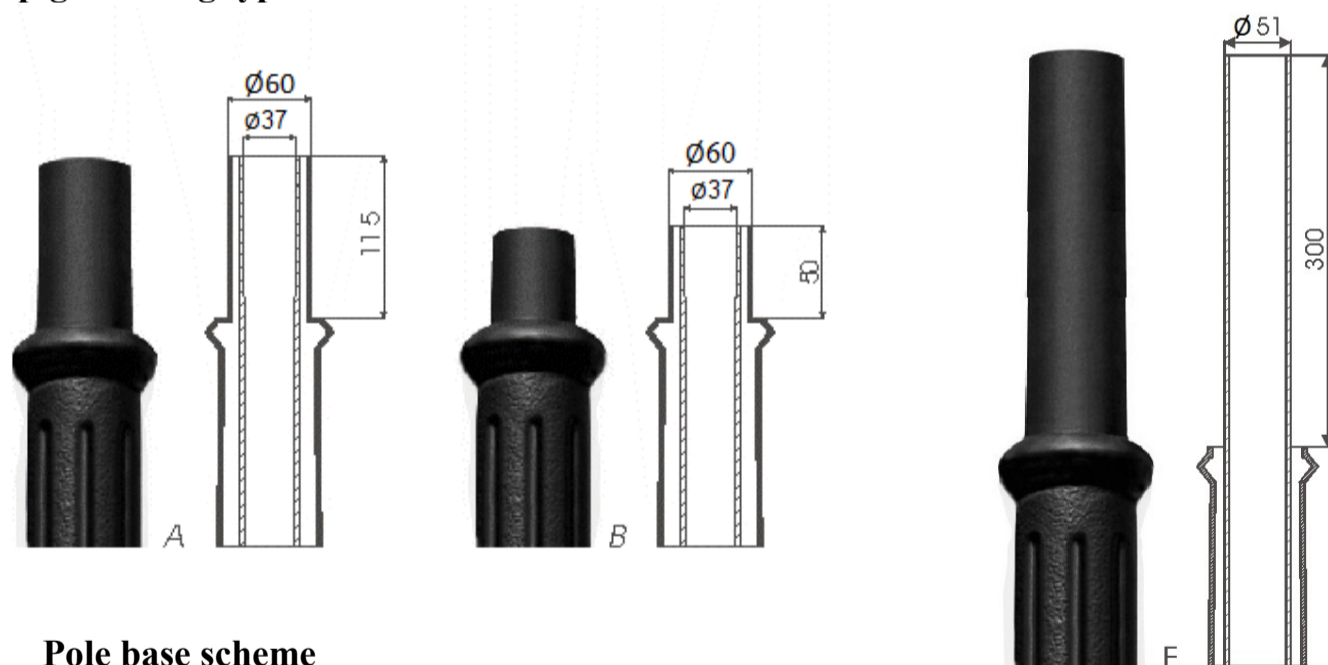
### Technical data

Pole		SP-4W **	
Height H [m]		4,645	
Colour		czarny	biały
Standard pole (code)	Spigot ending	A	17411
		B	17421
		E	17451
High thermal resistance pole (code)	Spigot ending	A	17411F
		B	17421F
		E	17451F
Net weight [kg]	Spigot ending	A	44,0
		B	37,0
		E	50
Volume [m <sup>3</sup> ]*	Spigot ending	A, B	0,16
		E	0,17
Pole top mounted		pole spigot „B” – Ø60 – OS-1, OP, OPA-1	
Compatible extension arms		pole spigot "A" – Ø60 – WT and WA-1, WA-01, WA-4 pole spigot "E" – Ø51 – WTM	
Compatible arm systems		pole spigot "A" – Ø60 – arm system type "P"	
Concrete footing / reinforcement basket		B-40 / Z-40	
Concrete footing code/reinforcement basket		311140 / 311204	
Nut set code		311003	

\* For order of more than 10 pcs stated volume may change according to packing

\*\* pole with chamber

### Spigot ending types



### Pole base scheme

