

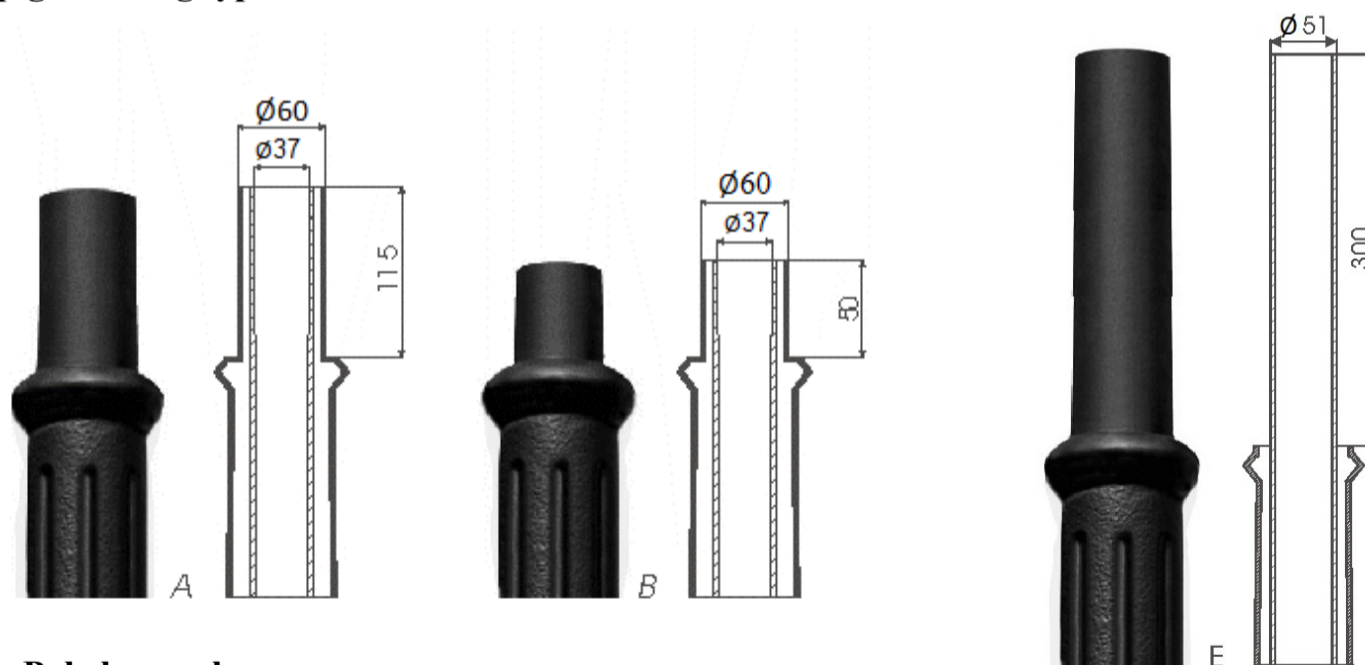
Technical data

Pole		SP-3W**	
Height H [m]		3,735	
Colour		black	white
Standard pole (code)	Spigot ending	A	17311
		B	17321
		E	17351
High thermal resistant pole (code)	Spigot ending	A	17311F
		B	17321F
		E	17351F
Net weight [kg]	Spigot ending	A	37,0
		B	31,0
		E	40
Volume [m ³]*	Spigot ending	A, B	0,13
		E	0,14
		Pole top mounted	
Compatible extension arms		pole spigot "A" – Ø60 – WT and WA-1, WA-01, WA-4 pole spigot "E" – Ø51 – WTM	
Compatible arm systems		pole spigot "A" – Ø60 – arm system type "P"	
Concrete footing / reinforcement basket		B-40B / Z-40B	
Concrete footing code/reinforcement basket		311140B / 311204B	
Nut set code		311003	

* For order of more than 10 pcs stated volume may change according to packing

** pole with chamber

Spigot ending types



Pole base scheme

