

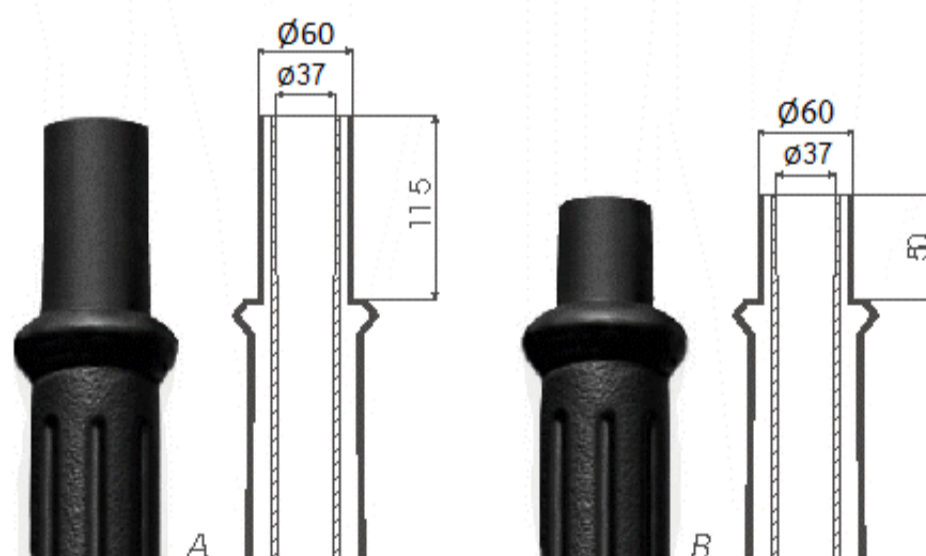
Technical data

Pole		SP-2	
Height H [m]		2,88	
Colour		czarny	biały
Standard pole (code)	Spigot ending	A	17210
		B	17220
High thermal resistance pole (code)	Spigot ending	A	17210F
		B	17220F
Net weight [kg]	Spigot ending	A	19,0
		B	17,0
Volume [m ³]*	A, B	0,06	
Pole top mounted		pole spigot „B” – Ø60 – OS-1, OP, OPA-1	
Compatible extension arms		pole spigot "A" – Ø60 – WT (max. 2 arms) and WA-1, WA-01, WA-4	
Compatible arm systems		pole spigot "A" – Ø60 – arm system type "P"	
Concrete footing / reinforcement basket		B-20 / Z-20	
Concrete footing code/reinforcement basket		311120 / 311202	
Nut set code		311002	

* For order of more than 10 pcs stated volume may change according to packing



Spigot ending types



Pole base scheme

