

**Technical data**

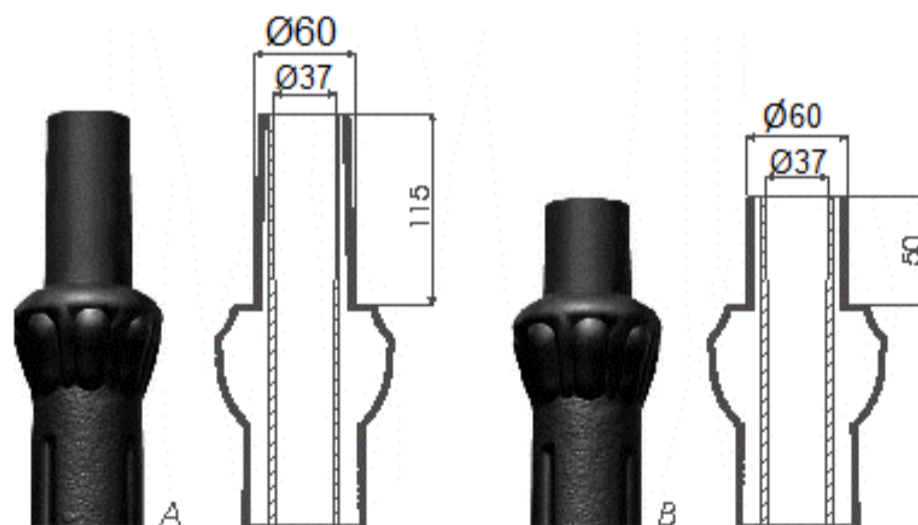
Pole			S-52W**
Height H [m]			4,735
Colour			black
Standard pole (code)	Spigot ending	A	15211
		B	15221
High thermal resistance pole (code)		A	15211F
		B	15221F
Net weight [kg]	A	49,0	
	B	39,0	
Volume [m <sup>3</sup> ]*	A, B	0,17	
Pole top mounted			pole spigot „B” – Ø60 – OS-1, OP, OPA-1
Compatible extension arms			pole spigot „A” – Ø60 – arm systems: 1, 2, 2+1, 3
Concrete footing / reinforcement basket			B-40 / Z-40
Concrete footing code/reinforcement basket			311140 / 311204
Nut set code			311003

\* For order of more than 10 pcs stated volume may change according to packing

\*\* pole with chamber



**Spigot ending types**



**Pole base scheme**

