

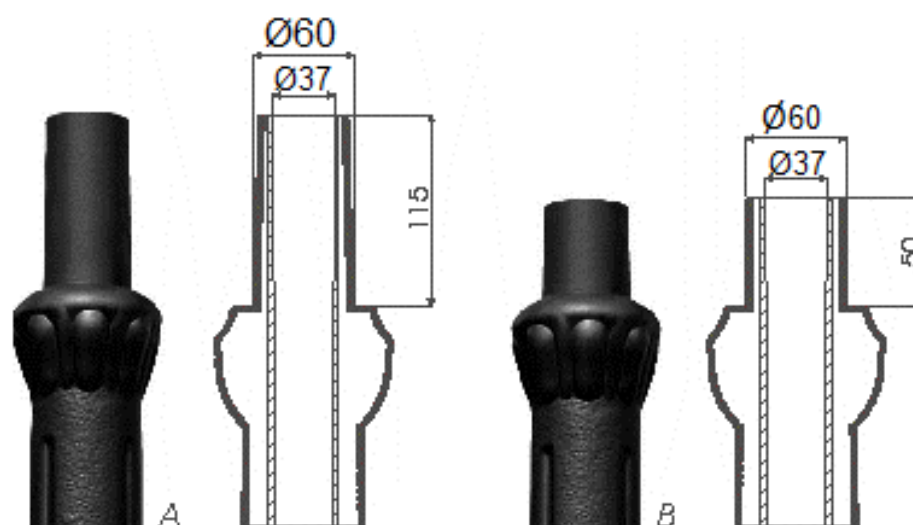
Technical data

Pole		S-40	
Height H [m]		4,03	
Colour		black	
Standard pole (code)	Spigot ending	A	14010
		B	14020
High thermal resistance pole (code)		A	14010F
		B	14020F
Net weight [kg]		A	39,0
		B	39,0
Volume [m ³]*	A, B	0,14	
Pole top mounted		pole spigot „B” – Ø60 – OS-1, OP, OPA-1	
Compatible extension arms		pole spigot „A” – Ø60 – arm systems: 1, 2, 2+1, 3, 3+1	
Concrete footing / reinforcement basket		B-40B / Z-40B	
Concrete footing code/reinforcement basket		311140B / 311204B	
Nut set code		311003	

* For order of more than 10 pcs stated volume may change according to packing



Spigot ending types



Pole base scheme

