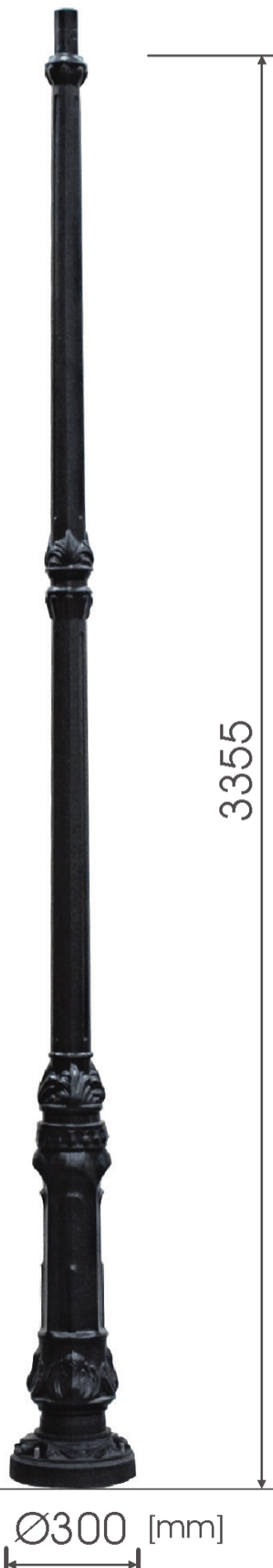


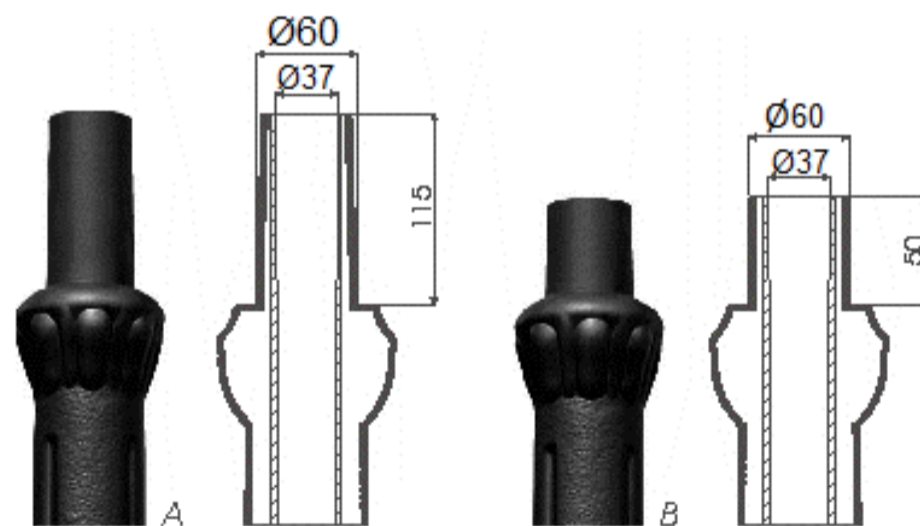
**Technical data**

Pole			S-32
Height H [m]			3,355
Colour			black
Standard pole (code)	Spigot ending	A	13210
		B	13220
High thermal resistance pole (code)		A	13210F
		B	13220F
Net weight [kg]		A	28,0
Volume [m <sup>3</sup> ]*		B	28,0
	A, B	0,12	
Pole top mounted			pole spigot „B” – Ø60 – OS-1, OP, OPA-1
Compatible extension arms			pole spigot „A” – Ø60 – arm systems: 1, 2, 2+1, 3, 3+1
Concrete footing / reinforcement basket			B-30 / Z-30
Concrete footing code/reinforcement basket			311130 / 311203
Nut set code			311003

\* For order of more than 10 pcs stated volume may change according to packing



**Spigot ending types**



**Pole base scheme**

