

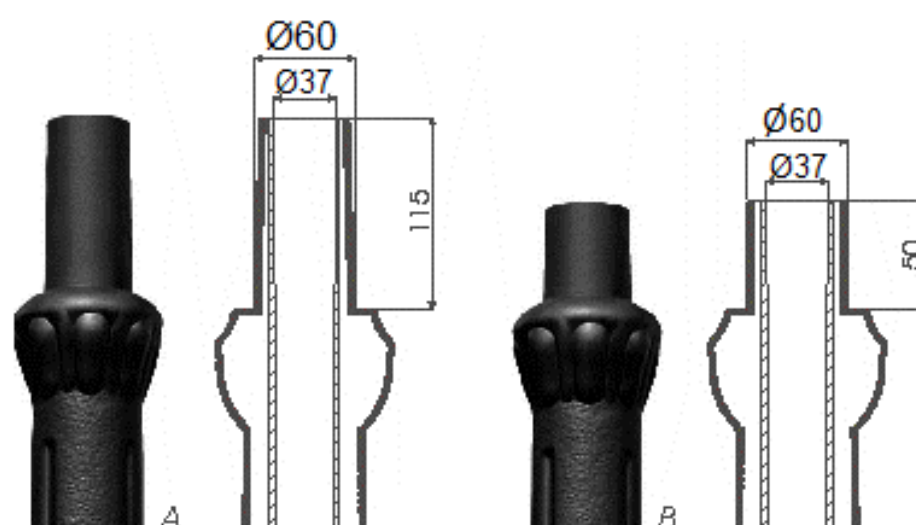
### Technical data

Pole		S-21	
Height H [m]		2,055	
Colour		black	
Standard pole (code)	Spigot ending	A	12110
		B	12120
High thermal resistance pole (code)		A	12110F
		B	12120F
Net weight [kg]		A	17,0
		B	17,0
Volume [m <sup>3</sup> ]*		A, B	0,07
Pole top mounted		pole spigot „B” – Ø60 – OS-1, OP, OPA-1	
Compatible extension arms		pole spigot „A” – Ø60 – arm systems: 1, 2, 2+1, 3, 3+1	
Concrete footing / reinforcement basket		B-30 / Z-30	
Concrete footing code/reinforcement basket		311130 / 311203	
Nut set code		311003	

\* For order of more than 10 pcs stated volume may change according to packing



### Spigot ending types



### Pole base scheme

