

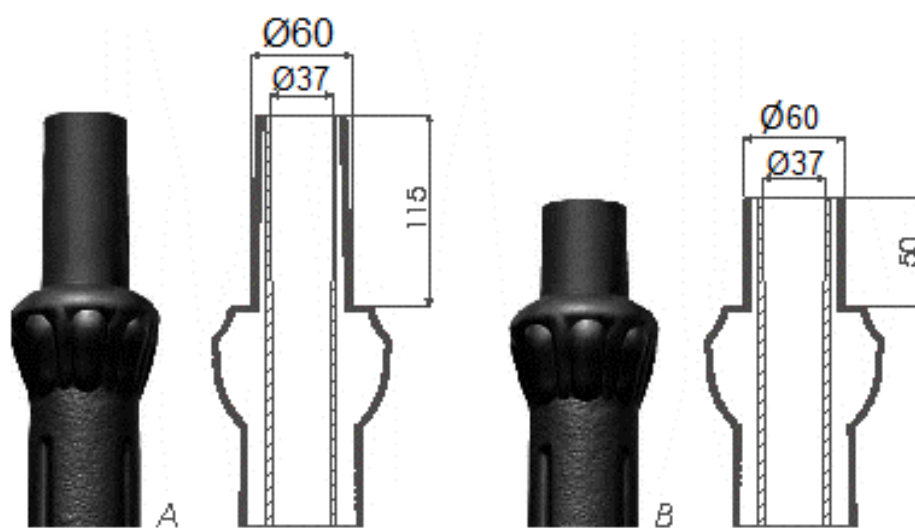
Technical data

Pole			S-13
Height H [m]			1,4
Colour			black
Standard pole (code)	Spigot ending	A	11310
		B	11320
High thermal resistance pole (code)		A	11310F
		B	11320F
Net weight [kg]	A	9,0	
Volume [m ³]*	B	9,0	
	A, B	0,03	
Pole top mounted			pole spigot „B” – Ø60 – OS-1, OP, OPA-1
Compatible extension arms			pole spigot „A” – Ø60 – arm systems: 1, 2
Concrete footing / reinforcement basket			B-20 / Z-20
Concrete footing code/reinforcement basket			311120 / 311202
Nut set code			311002

* For order of more than 10 pcs stated volume may change according to packing



Spigot ending types



Pole base scheme

